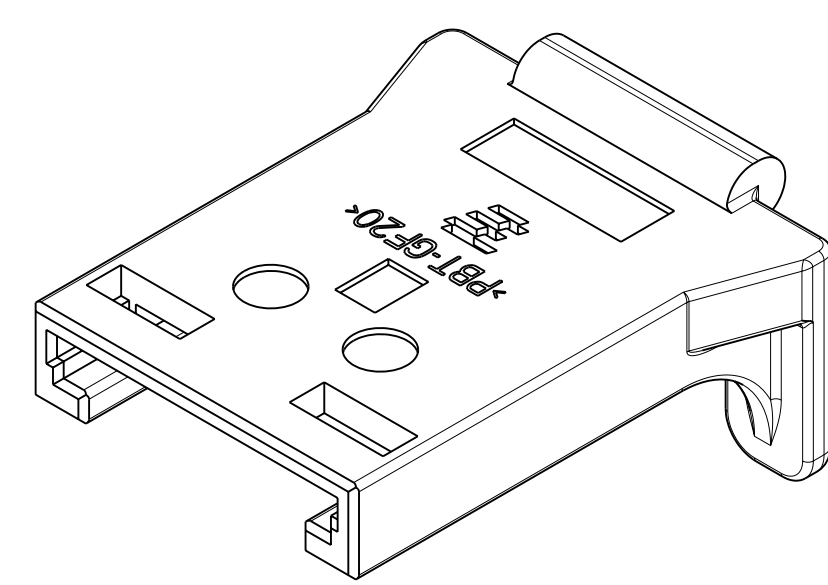
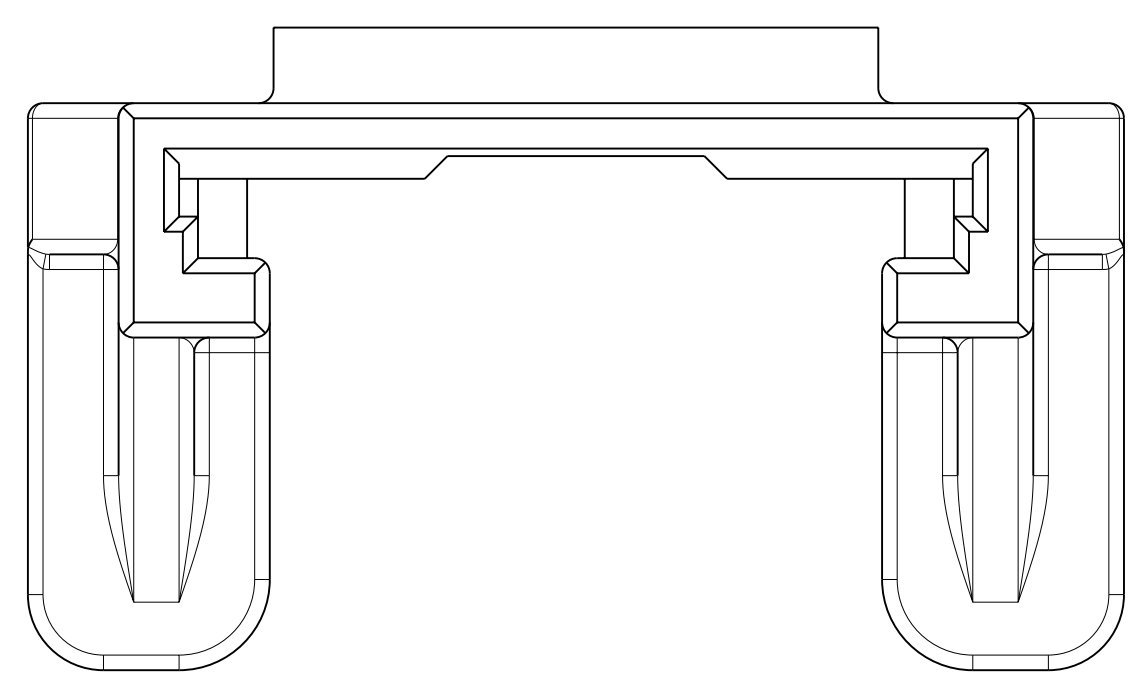
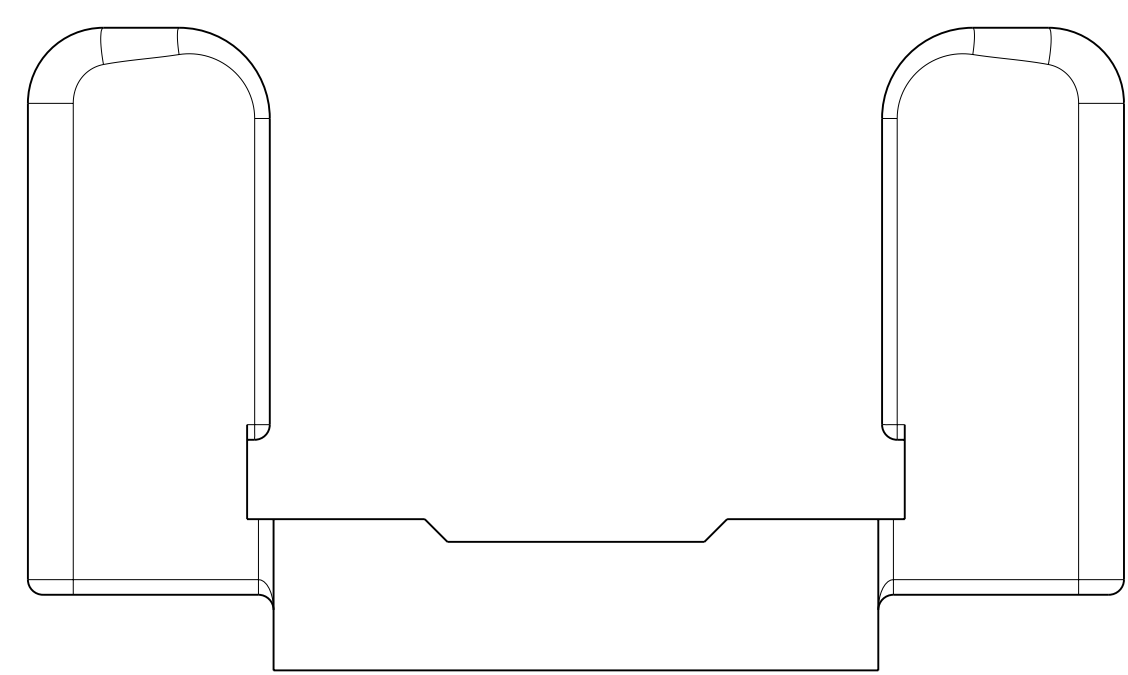
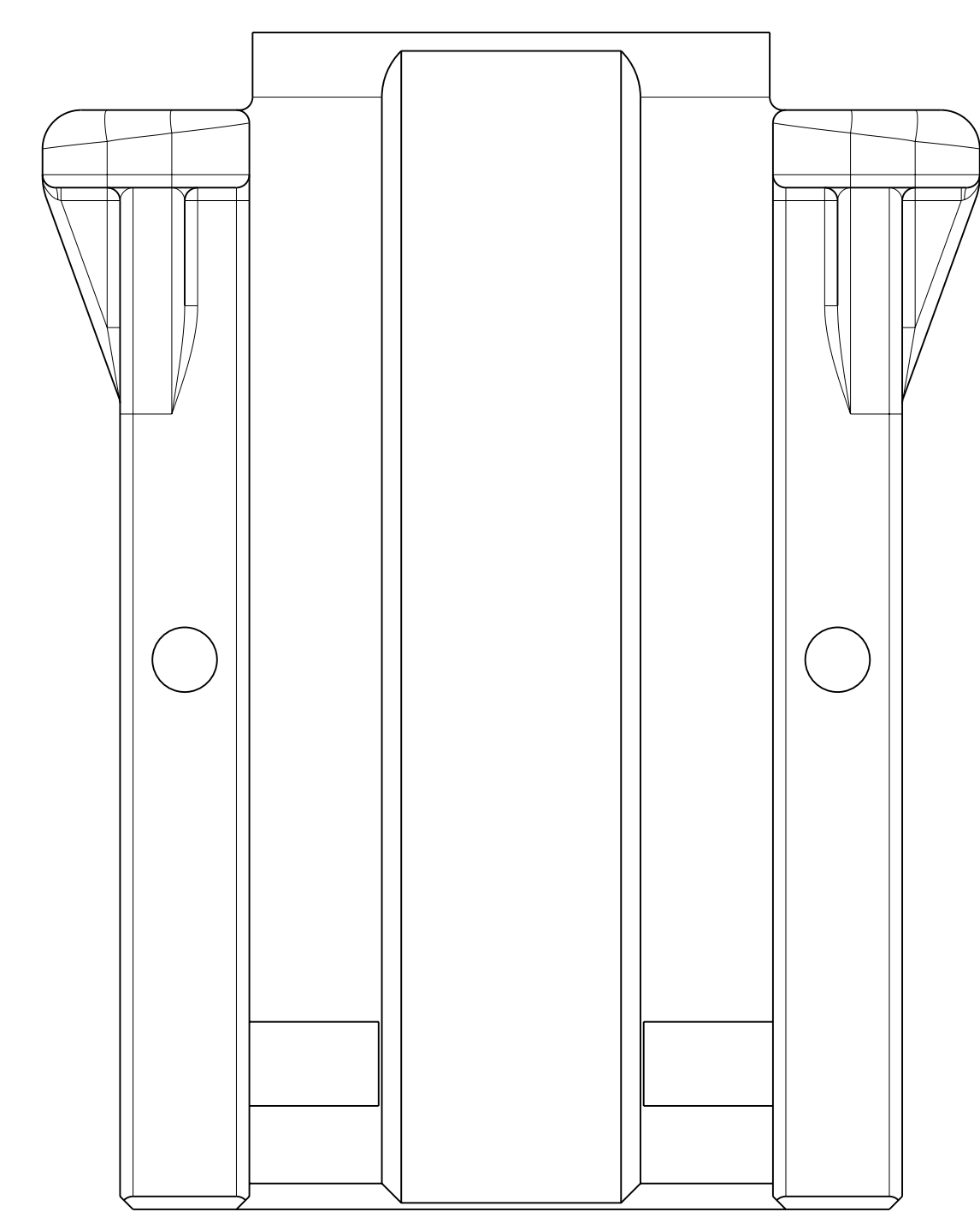
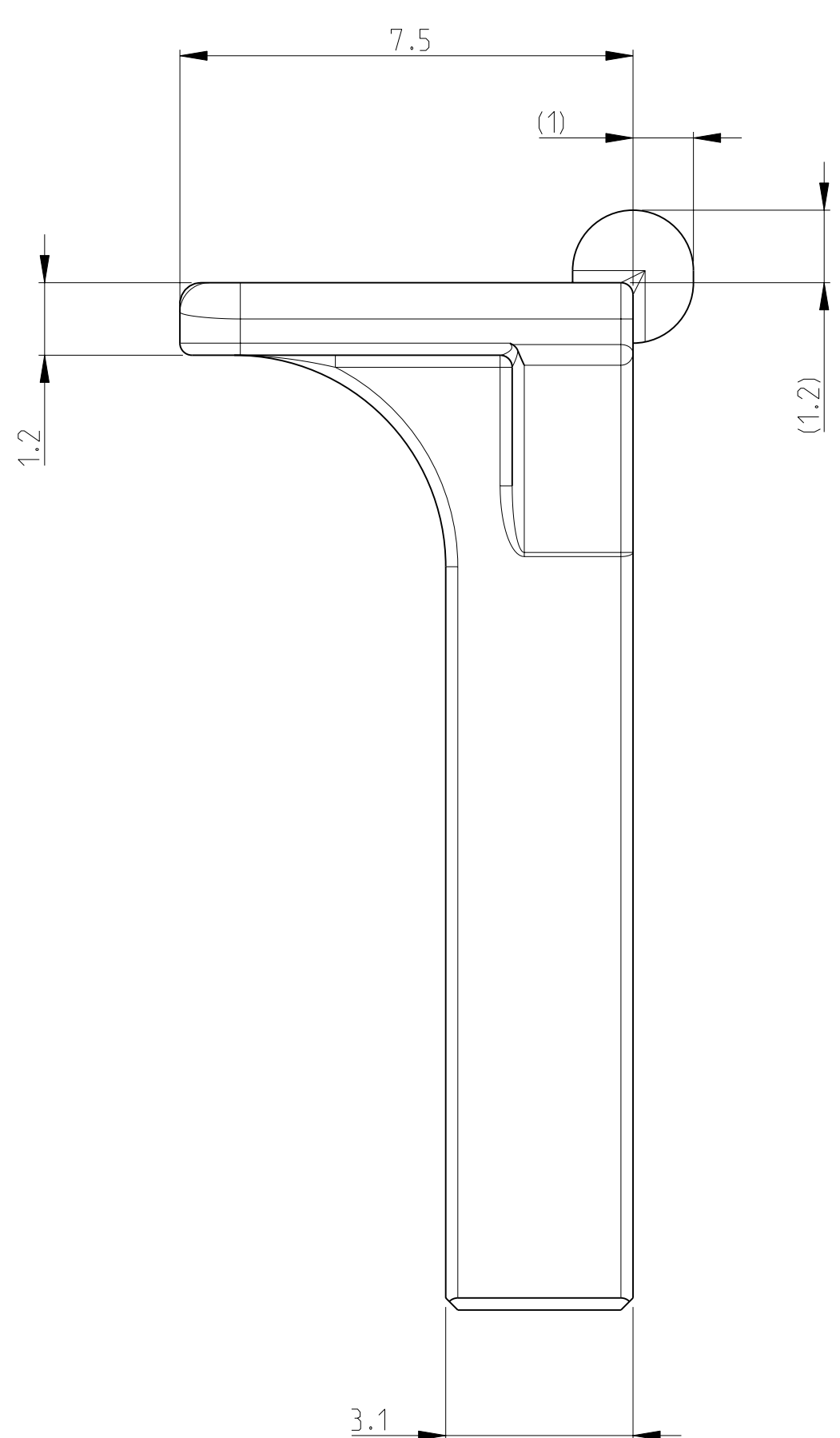
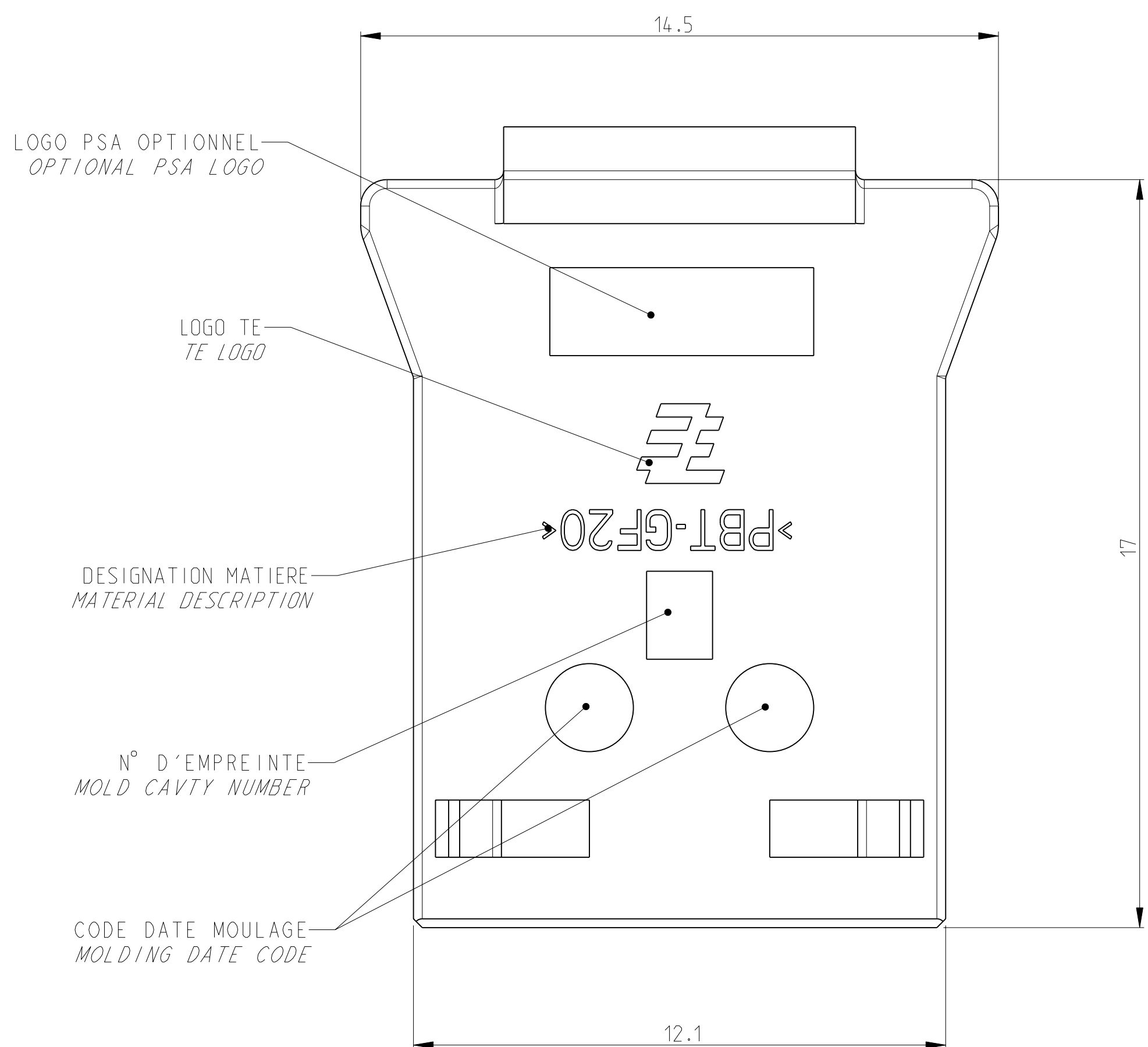


LOC	DIST	REVISIONS					
F	00	P	LTR	DESCRIPTION	DATE	DWN	APPR
		REV		MODIFICATIONS		DESS.	APP.
		A		CREATION	01JUL2009	NS	XR



ECHELLE 5:1
SCALE



COMPOSANTS ASSOCIES MATING PARTS	
REF. TE TE PART NUMBER	DESIGNATION
185311-1	MODULE 6 VOIES MQS SOCKET HOUSING 6 POS MQS
953382-X	PORTE MODULE POUR PORTE CLIPS 6 V. MQS COVER FOR HSG 6 W MQS

953381-1 REPRESENTEE
AS SHOWN

PBT 20% FV PBT GF20	NOIR BLACK	953381-1
MATIERE MATERIAL	COULEUR COLOR	REF TE TE PV

THIS DRAWING IS UNPUBLISHED. RELEASED FOR PUBLICATION DIFFUSION RESTREINTE AMP BY TYCO ELECTRONICS CORPORATION. ALL RIGHTS RESERVED. © COPYRIGHT 2009 BY TYCO ELECTRONICS CORPORATION. ALL RIGHTS RESERVED.		DWN/DESIGNING: 01JUL2009 IN/SILVION 02JUL2009 CDR/REVISEUR: F. CHATELUS 02JUL2009		Tyco Electronics France SAS 95300 Pontoise, France	
DIMENSIONS: mm		TOLERANCES UNLESS OTHERWISE SPECIFIED: DIMENSIONS: mm DECIMALS FRACTIONS: #		NAME: LOCKING DEVICE FOR 6W HSG MQS GENE2 VERROU POUR BOITIER 6V MQS GENE2	
MATERIAL MATIERE: SEE TABLE Voir Tableau		FINISH FINITION: #6*		WEIGHT MASSE APPROX.: 0.6 g	
CUSTOMER DRAWING /PLAN CLIENT		INDEUMENT POUR REFERENCE		SCALE ECHELLE: 10:1 SHEET FEUILLE: 1 OF 1 REV A	